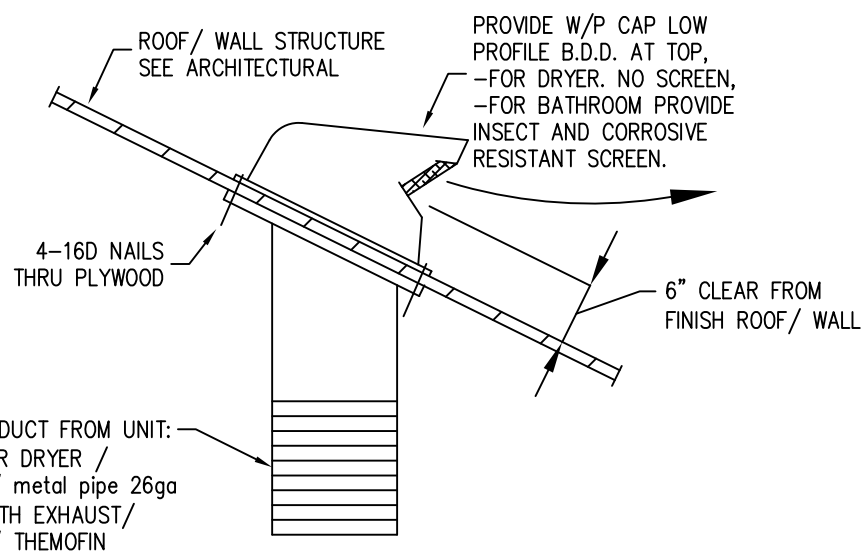
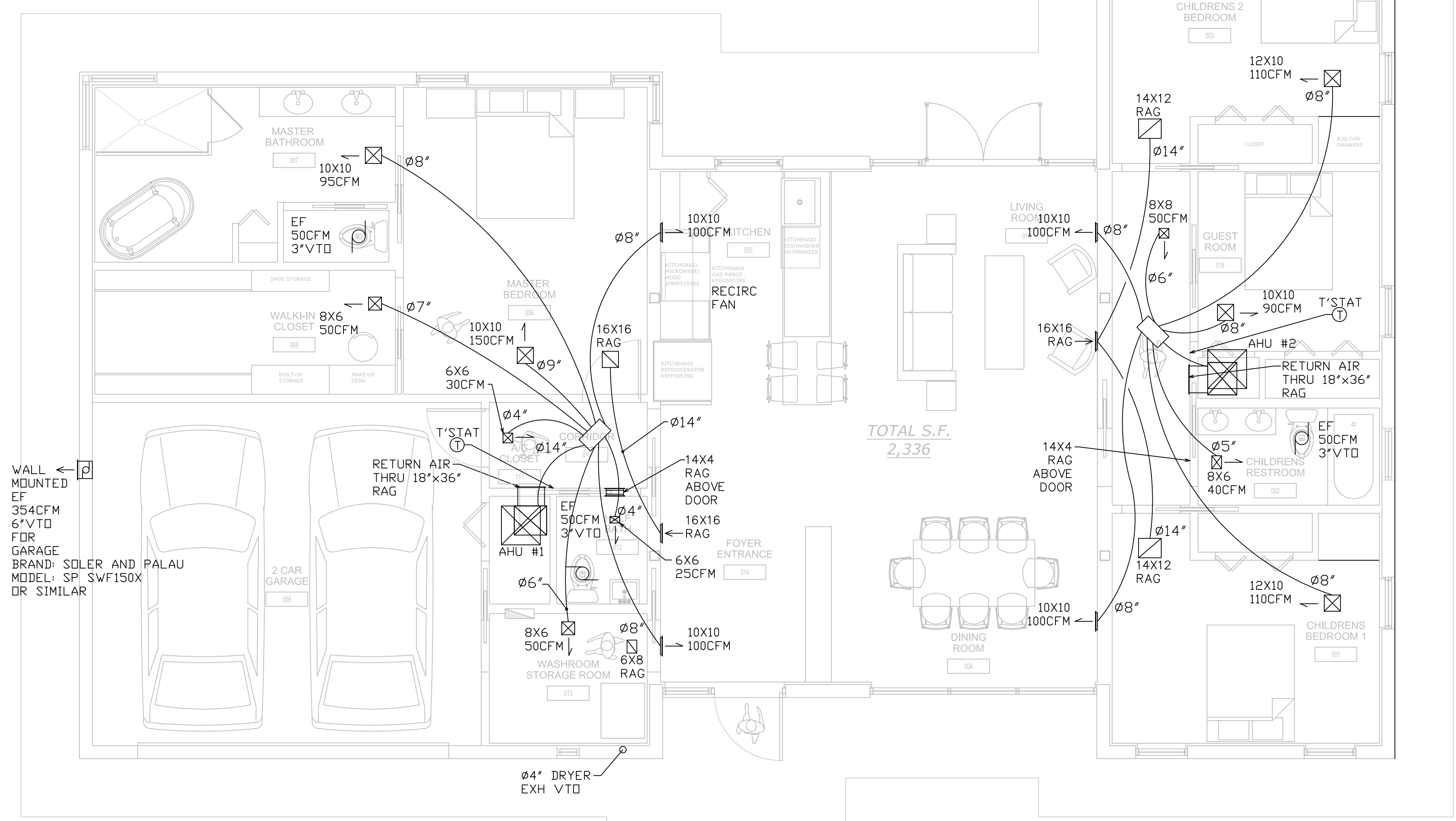


SPLIT SYSTEM AIR HANDLING UNIT & CONDENSING UNIT SCHEDULE

PLAN MARK	CU-1/AHU-1	CU-2/AHU-2
SERVING	RESIDENCE	RESIDENCE
MANUFACTURER	CARRIER	CARRIER
TON	1.5	1.5
SEER	16	16
CU MODEL NUMBER	24ABC618-3	24ABC618-3
AHU MODEL NUMBER	FX4DNF019	FX4DNF019
CFM	600 @ 0.5"	600 @ 0.5"
REFRIGERANT	R-410A	R-410A
AMBIENT	95	95
CAP (MBH) @ 80/67(TC/SC)	18.0/12.8	18.0/12.8
CAP (MBH) @ 75/62(TC/SC)	16.7/12.3	16.7/12.3
CONDENSING UNIT DATA:		
COMPRESSOR QTY/TYPER	1-SCROLL	1-SCROLL
COMPRESSOR 1 RLA-LRA	9.0-48.0	9.0-48.0
COND. FAN FLA-HP	0.5-1/12	0.5-1/12
MCA	11.8	11.8
MOCP	20	20
DIMENSIONS (LxWxH) IN	26x26x29	26x26x29
STD WEIGHT (LBS)	125	125
AHU DATA:		
EVAP. FAN FLA-BHP	2.8-1/3	2.8-1/3
HEATER KW	5	5
MCA	26	26
MOCP	30	30
DIMENSIONS (LxWxH) IN	22x18x50	22x18x50
STD WEIGHT (LBS)	122	122
REF. TUBES O.D. (IN):		
SUCTION LINE	3/4	3/4
LIQUID LINE	3/8	3/8

MECHANICAL PLAN

SCALE = 1/4" = 1'-0"



TYPICAL ROOF/WALL CAP DETAIL
© DRYER AND/OR TOILET EXH.
N.T.S.

NOTES:
 -DUCT LOCATIONS MAY CHANGE DUE TO FIELD CONDITIONS
 -DUCTWORK IN UNCONDITION SPACE SHALL BE R=6.0
 -DUCTWORK IN CONDITION SPACE SHALL BE R=4.0
 -UNDERCUT 1 INCH ALL INTERIOR DOORS.
 -A.H.U. TO HAVE COND DRAIN FLOAT SWITCH INSTALL AT SECONDARY DRAIN LINE TO STOP A.H.U. IN THE EVENT OVERFLOW.
 -PIPING AND FITTING FOR REFRIGERANT VAPOR (SUCTION) LINES SHALL BE INSULATED WITH INSULATION HAVING A THERMAL RESISTIVITY OF AT LEAST R-4 AND HAVING EXTERNAL SURFACE PERMEANCE NOT EXCEEDING 0.05 PERM WHEN TESTED IN ACCORDANCE WITH ASTM E 96

CALCULATIONS BASED ON:

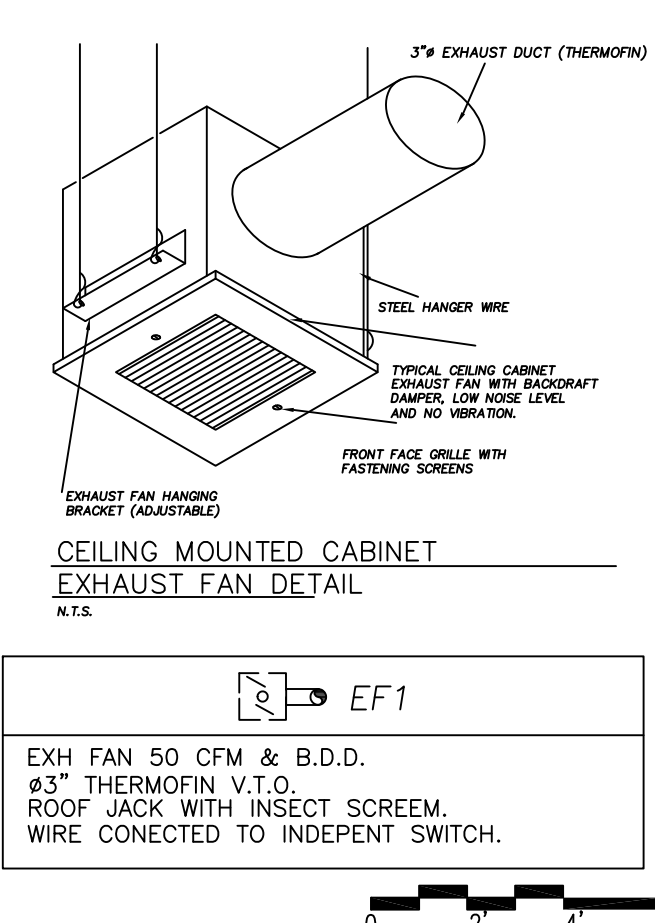
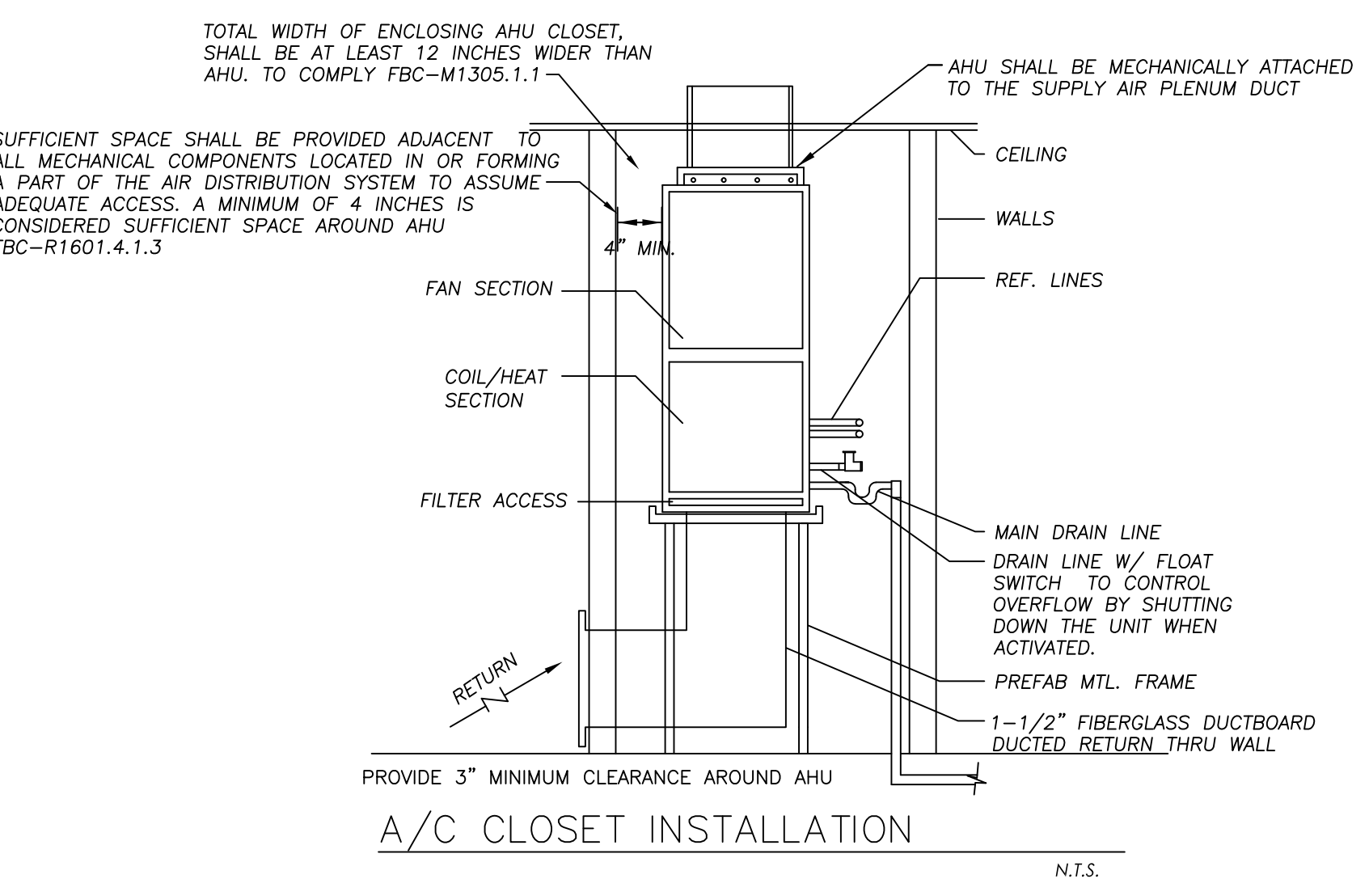
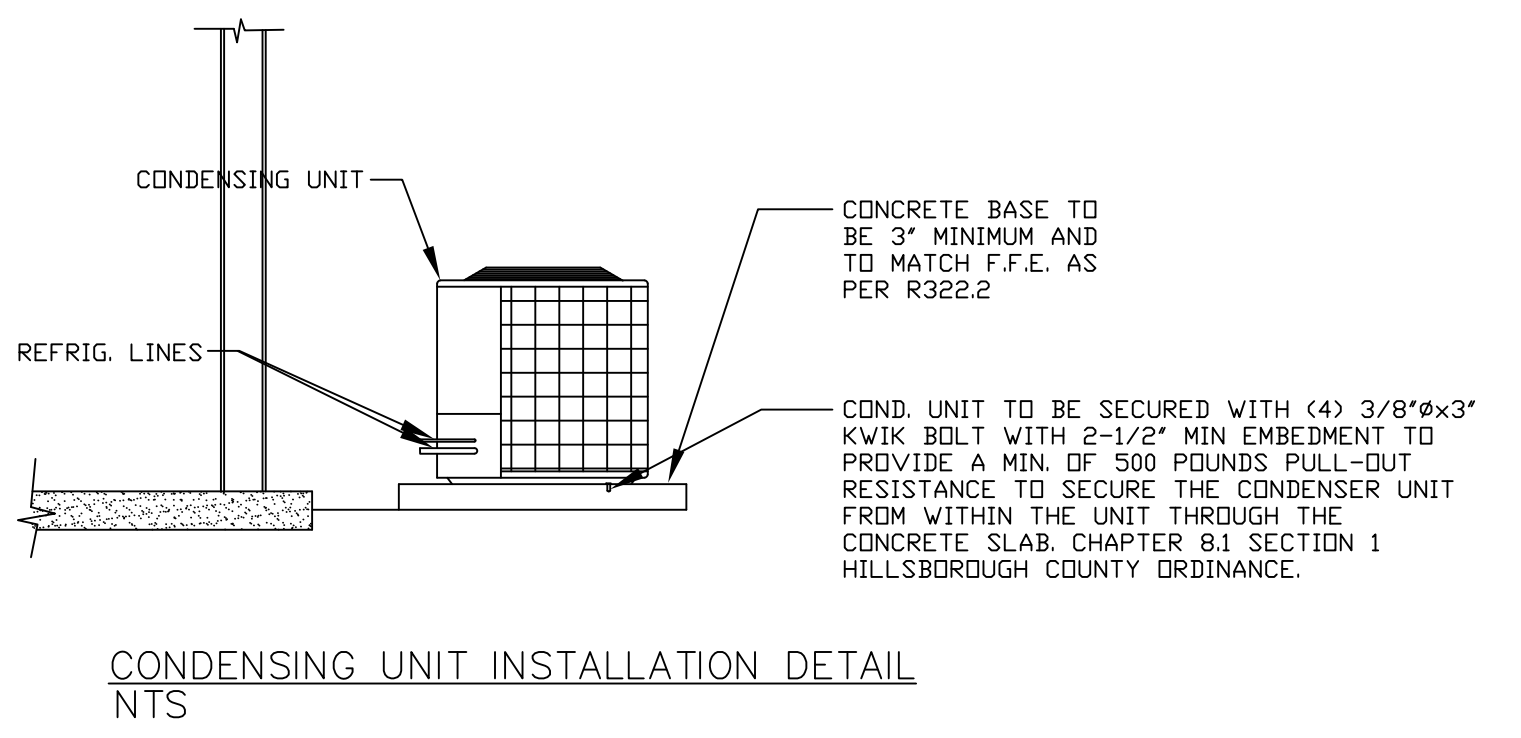
CEILING INSULATION	R-30
EXTERIOR ICF WALL	R-30 to R-36
PROJECT LOCATION	HILLSBOROUGH COUNTY

ENERGY VALUES:
 WINDOWS:
 U-FACTOR = 1.10
 SHGC = 0.5
 WALL INSULATION = R-5
 ATTIC INSULATION = R-30

FBC R806.2
 THE MINIMUM NET FREE VENTILATION AREA SHALL BE 1/150 OF THE AREA OF THE VENTED SPACE.
 RESIDENCE LIVING AREA 1793 SQFT
 NET FREE VENTILATION AREA 1/150
 1793/150=11.95 SQFT.
 11.95SQFT X 144=1720.8SQIN
 IF EACH PENETRATION IS 20"x4":
 20"x 4"=80SQIN.
 1720.8SQIN/80SQIN=21.51;
 22 PENETRATION ON BLOCKED PERIMETER.

HVAC DESIGN REQUIRES	YES	NO
DUCT SMOKE DETECTOR		X
FIRE DAMPER(S)/ RADIANT		X
SMOKE DAMPER(S)		X
FIRE RATED ENCLOSURE		X
FIRE RATED ROOF CEILING ASSEMBLY		X
FIRE STOPPING		X
SMOKE CONTROL		X
PROGRAMMABLE THERMOSTAT	X	

Dryer Model	Number of Turns	Best Performance	
		A	B
Super & Extra-Large 6.0 Capacity Models All Electric Dryers	0	90ft	60ft
	1	60ft	45ft
	3	45ft	35ft
Super & Extra-Large 6.0 Capacity Models All Gas Dryers	0	45ft	30ft
	1	35ft	20ft
	3	25ft	10ft
Extra-Large 5.7 Capacity Electric All Gas Dryers	0	60ft	48ft
	1	40ft	32ft
	3	44ft	24ft
Spacemaker® Models DSK5433EA VSM2780V	0	46ft	37ft
	1	38ft	30ft
	3	31ft	22ft
Spacemaker® Model DSKP233EV	0	43ft	36ft
	1	33ft	26ft
	3	23ft	16ft
Spacemaker® Model VSM2700V	0	56ft	42ft
	1	46ft	36ft
	3	34ft	28ft
Spacemaker® Models VSM2420T VSM2480T	0	43ft	36ft
	1	33ft	26ft
	2	23ft	16ft



Architectural + Engineers
 801 BRICKELL BAY DRIVE
 LOBBY SUITE SEVEN
 MIAMI, FLORIDA 33131
 (786) 402-7617 FAX: (786) 316-0030
 ARCHITECTURAL-CIVIL-ELECTRICAL-ENVIRONMENTAL
 MECHANICAL-STRUCTURAL
 MIAMI • NEW YORK • CHICAGO

CHARLES E. CULPEPPER JR.

REGISTERED PROFESSIONAL ENGINEER
 STATE OF NEW YORK LICENSE No. 16-066511
 STATE OF ILLINOIS LICENSE No. 062-043107
 STATE OF FLORIDA LICENSE No. 14203

AZEKIEL RESIDENCE
 FOLIO#: 0639290100
 SEFFNER, FL 33584

OWNER:
SHOMBAY DAHARI
 5309 NANCY ST
 TAMPA, FL 33617-8103

REVISIONS

ISSUE	ISSUE DATE/FOR

PROJECT No: 1605 DRAWN BY: SETOFPLANS.COM
 SCALE: CHECKED BY: DHIER
 DATE: 07/25/2018
 SHEET No.

M-1